

Section # J

Material Handling and Accessories

Easy Sliders, Scuff Shields	Page J-1
Forearm Forklifts	Page J-1
Tie strap	Page J-1
YEATS Dollies and Dolly Replacement Parts	Page J-2 - J-3
Furniture Blankets (Pads)	Page J-4
Gloves	Page J-4
Shoe Protectors (ShuBees)	Page J-4
Tape (Duct Tape, Electrical Tape, Masking Tape)	Page J-5
Rust Buster, Zoom Spout Oiler	Page J-5
Dow Corning Silicone Lubricant	Page J-5
Appliance Touch-Up Paint	Page J-6
Shrink Wrap	Page J-6
Utility Knives and Box Cutters	Page J-6
Goo Gone Solvent	Page J-6

MATERIAL HANDLING

Easy Sliders



P/N	DESC
99-EASY	Easy Sliders (pair) 8" x 58"

Tie Down Strap



P/N	DESC
98-3981	15"
98-3982	21"
98-3983	31"

Forearm Forklift



P/N	DESC
98-NH536-OR	Lifting Straps (pair)
98-EXTSTRAP	Extension Straps (pair)

Twisted Polypro Rope



P/N	DESC
98-3729	1/4" x 600 ft
98-3730	3/8" x 600 ft

Scuff Shield



P/N	DESC
99-SCUFF	30" x 48" Scuff Shield

Tie Strap

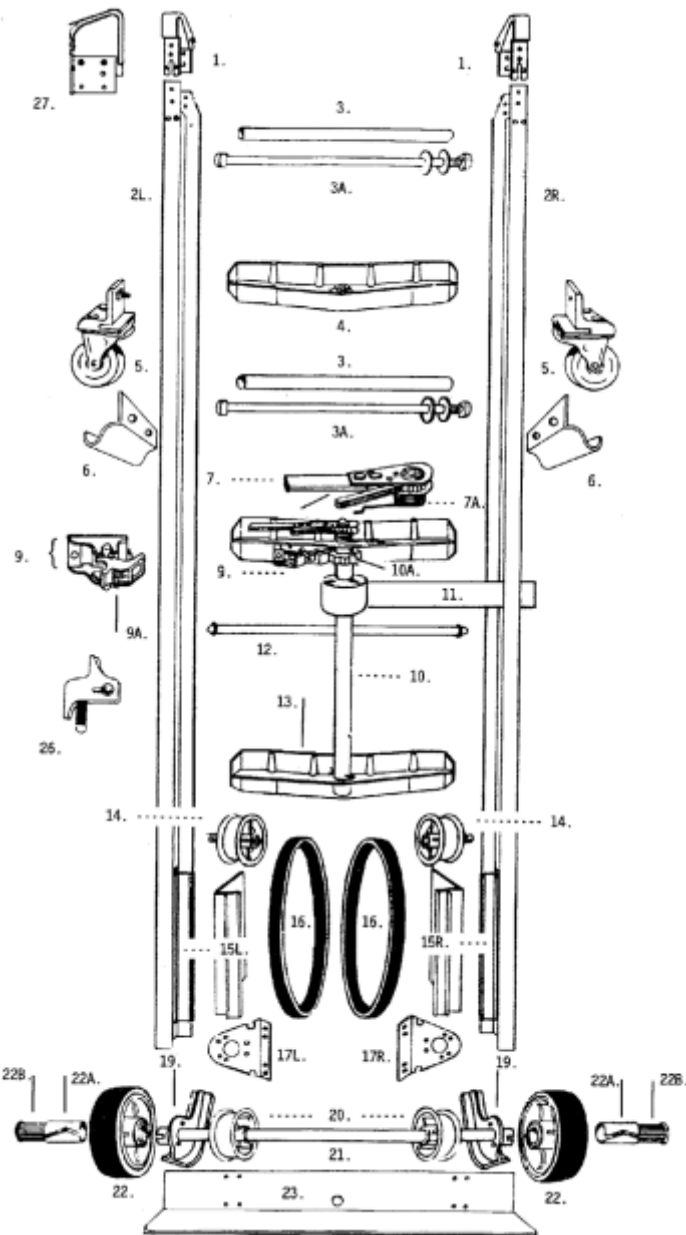


P/N	DESC
98-3700	Cotton: 2" x 100 ft
98-3710	Nylon: 1" x 150 ft

MATERIAL HANDLING

YEATS Repair Parts

YEATS Parts Specifications



P/N	DESC
98-0101	(1) TOP HANDLE
98-0131	(2L) SIDE RAIL - LEFT
98-0132	(2R) SIDE RAIL - RIGHT
98-0103	(3) SPACER WITH PADDED GRIP
98-0135	(3A) SPACER BOLT
98-0104	(4) CROSS MEMBER w/o thumb latch
98-0106	(6) SIDE HANDLE
98-0107	(7) RATCHET HANDLE w/ spring
98-0137	(7A) RATCHET RETURN SPRING
98-0108	(8) CROSS MEMBER w/ thumb latch
98-0109	(9) THUMB LATCH w/ bracket & spring
98-0138	9A) THUMB LATCH SPRING
98-0110	(10) VERTICAL SHAFT & HOLDING GEAR
98-0139	(10A) HOLDING GEAR w/ pin
98-0111	(11) DOLLY STRAP 15 foot
98-0111-21	(11) DOLLY STRAP 21 foot
98-0112	(12) DOLLY STRAP SUPPORT ROD
98-0114	(14) TOP PULLEY
98-0140	(15L) GLIDE SLIDE - LEFT
98-0141	(15R) GLIDE SLIDE - RIGHT
98-0116	(16) GLIDE BELT
98-0117L	(17L) AXLE BRACKET - LEFT
98-0117R	(17R) AXLE BRACKET - RIGHT
98-0145	(19L) SLIDE RAIL BASE - LEFT
98-0146	(19R) SLIDE RAIL BASE - RIGHT
98-0120	20) LOWER PULLEY
98-0121	(21) AXLE
98-0150	(22) WHEEL w/ bearing
98-0152	(22B) WHEEL BEARING
98-0123	(23) RIVETLESS PLATE (specify model)
98-0160	(24A) FELT PAD SET w/ cement
98-0161	(24B) FELT PAD for Nose Plate
98-0162	(24C) FELT PAD for Side Rail
98-0163	(24D) FELT PAD for Cross Member
98-0164	(24E) RUBBER CEMENT
98-0170	(25) PLASTIC PAD SET w/ cement
98-0126	(26) THUMB LATCH w/ spring
98-0127	(27) REPLACEMENT TOP HANDLE
98-0128	HANDLE BUMPER
98-0129	NOSE PLATE STUD SET
98-0130	NOSE PLATE WIDTH EXPANDER (26" W)
98-0130SET	WASHER/COTTER PIN SET
98-0000-xx	RIVET (specify by part)

NEED HELP WITH AN ORDER

Contact Your Salesman

or Call Customer Service at 1-800-242-7769

MATERIAL HANDLING

YEATS Dollies

98-105



98-107



98-109



98-114



98-116



98-118

P/N	DESC
98-105	"Shorty" 47" high
98-107	"Standard" 59" high
98-109	"Maxi" 71" high (2 ratchets)
98-114	"Dualie" 59" high (2 ratchets)
98-116	"Superman" 65" high (2 ratchets, 5 positions, & more)
98-118	79" high shown with Big Wheel Attachment & Two Man Handle Attachment (sold separately)

Big Wheel Attachment



P/N	DESC
98-120	Big Wheel Attachment - 10" air tires

Two Man Handle Attachment



P/N	DESC
98-144	Two Man Handle Attachment

Nose Plate Width Expander (26" Wide)



P/N	DESC
98-0130	Nose Plate Width Expander

Padded Space Grips & Rivetless Nose Plate



P/N	DESC
98-0103PAD	Spacer with Padded Grips
98-0123	Rivetless Nose Plate

MATERIAL HANDLING

Gloves



P/N 99-GLOVE
DESC Heavy Duty Canvas

Furniture Pads



P/N 97-FP2000
DESC 72" x 80", 80 lbs per dozen



P/N 97-FP2001
DESC 72" x 80", 75 lbs per dozen

Shoe Protectors



P/N 98-SB-ASST
DESC Assorted Colors
 98-SB-WP-B Waterproof - Blue, 150 Pair
 98-SB-WP-50 Waterproof - Blue, 50 Pair
 98-SB-B Blue - 150 Pair
 98-SB-DB Dark Blue, 150 Pair
 98-SB-B-50 Blue - 50 Pair
 98-SB-DB-50 Dark Blue, 50 Pair



P/N 97-FP2021
DESC 72" x 80", 64 lbs per dozen



P/N 97-FP2003
DESC 72" x 80", 40 lbs per dozen

ACCESSORIES

Tape

Masking



P/N	DESC
92-0012	3/4" x 60yds
92-0016	1" x 60yds
92-0024	1 1/2" x 60yds
92-0032	2" x 60yds

Clear Carton Sealing



P/N	DESC
92-0600	2" x 55 yds
92-0500	Tape Dispenser

Filament



P/N	DESC
92-0812	3/4" x 60yds
92-0816	1" x 60yds
92-0824	1 1/2" x 60yds
92-0832	2" x 60yds

Duct



P/N	DESC
92-1032	2" x 60yds Med Grade
92-2032	2" x 60yds Prem Grade

Tape

Electrical



P/N	DESC
92-3000	3/4" x 60'

Metalized



P/N	DESC
92-AF973	2" x 50yds - Alum. Foil
92-SF683	2" x 60yds - Hvy Duty
92-AF100	2 1/2" x 60yds UL181

Pipe Wrapping



P/N	DESC
49-5252	2" x 100' x 10mil
49-5362	2" x 100' x 20mil

Rubber Installation



P/N	DESC
92-461102	3/4" x 22'

Lubricant



P/N	DESC
86-1000	Zoom Spout Oiler (4 oz)
86-2000	Rust Buster Penetrant (4 oz)

Dow Corning Silicone



P/N	DESC
86-1111	5.3 oz

Water Gauge



P/N	DESC
80-1423	Lazy Hand 2 1/2" x 160#

ACCESSORIES

Plumber's Goop



P/N	DESC
80-1711	3.7 oz Tube

Touch-up Paints

Bottle with Dauber



P/N	DESC
88-72017	White, 0.6oz
88-92899	Bisque, 0.6oz
88-72032	Black, 0.6oz
88-80051	Graphite, 0.6oz
88-72107	Almond, 0.6oz
88-8171652	Empire Red, 0.6oz

Spray Can



P/N	DESC
88-350930	White, 12oz
88-285006	Black, 12oz
88-4396174	Pewter, 12oz
88-350956	Almond, 12oz

Handy Box Cutters



P/N	DESC
80-4327	Cutter, 12 pk
80-4329	Cutter Blades, 5 pk
80-4328	Cutter Blades, 100 pk

Utility Knives



80-4323



80-4326

P/N	DESC
80-4323	Knife w/ 1 blade
80-4325C	Blades, 5 pack
80-4326	Blades, 100 pack

Mini Tubing Cutter



P/N	DESC
80-4351	Cutter

Cable Ties

Nylon



P/N	DESC
65-1180	4" 100 lot
65-1182	6" 100 lot
65-1178	8" 100 lot
65-1183	11" 100 lot
65-1184	14" 100 lot

Nylon with Screw Mount Head



P/N	DESC
65-1189	7" 100 lot
65-1188	11" 100 lot

Shrink Wrap



P/N	DESC	GA
99-MAO104	12" x 1500 ft.	42
99-MAO105	18" x 1500 ft.	80
99-Z9999090	18" x 1500 ft.	39
99-222	Dispensing Handle	

Goo Gone



P/N	DESC
86-GG12	8 oz