

## DRYER INSTALL KITS - GAS

<b>P/N</b> 03-570P				
<b>P/N</b> 03-506P				
<b>P/N</b> 03-505P				
<b>P/N</b> 03-508P				

## DRYER INSTALL KITS - ELECTRIC

<b>P/N</b> 03-600-5P			
<b>P/N</b> 03-600P			
<b>P/N</b> 03-655P			
<b>P/N</b> 03-601P			
<b>P/N</b> 03-608P			
<b>P/N</b> 03-620-5P			
<b>P/N</b> 03-620P			

## UL APPROVED FLEXIBLE FOIL DRYER DUCTING

### BULK PACKAGING

P/N	SIZE
35-17425-5	4" X 25'
35-17450-5	4" X 50'

### DUCTING KITS

P/N	SIZE
35-135-5FS	4" X 5' w/ Spring Clamps
35-138-5FS	4" X 8' w/ Spring Clamps

### PRE-CUT

P/N	SIZE
35-105F-5	4" X 5'
35-108F-5	4" X 8'

## FLEXIBLE FOIL DRYER DUCTING

### BULK PACKAGING

P/N	SIZE
35-17325	3" X 25'
35-17425	4" X 25'
35-17450	4" X 50'
35-17525	5" X 25'
35-17625	6" X 25'
35-17725	7" X 25'

### DUCTING KITS

P/N	SIZE
35-135FS	4" X 5' w/ Spring Clamps
35-138FS	4" X 8' w/ Spring Clamps

### PRE-CUT

P/N	SIZE
35-105F	4" X 5'
35-108F	4" X 8'

## FLEXIBLE PLASTIC DRYER DUCTING

### BULK PACKAGING

P/N	SIZE
35-150	4" X 50'

## VENT CLAMPS (4")

P/N	SIZE
35-01	Spring
35-02	Screw
50-964	Worm Gear

## VENT BUCKETS



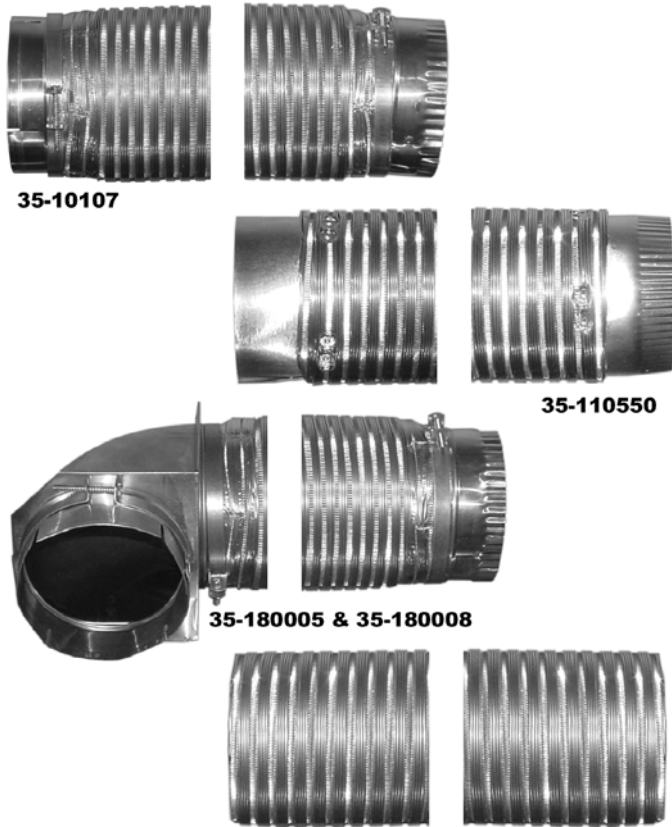
P/N	ITEM DESC
35-860F	10 1/2" x 4 3/4" w/ 5ft Foil Ducting & Clamps
35-870	6 1/2" Round w/ 5ft Plastic Ducting & Clamps
35-870F	6 1/2" Round w/ 5ft Foil Ducting & Clamps
35-875	6 1/2" Round (Bucket Only)

## ELBOWS, EXTENSIONS and COUPLINGS (Aluminum)



P/N	ITEM DESC	SIZE
35-10103	EXTENSION COLLAR	XXXX
35-10108	CLOSE ELBOW	4"
35-10109	OFFSET WALL ELBOW	4"
35-10110	OFFSET DRYER ELBOW	4"
35-10137	COUPLING	4"

## CORRUGATED ALUMINUM VENTING



P/N	ITEM DESC
35-10107	4" x 6', M & F Ends, Screw Clamps
35-110550	4" x 4', M & F Ends (Slip-On)
35-180005	4" x 5' M & F Ends, Close Elbow, Screw Clamps
35-180008	4" x 8' M & F Ends, Close Elbow, Screw Clamps
35-18045/9	4" x 5', Plain Ends
35-18048/9	4" x 8', Plain Ends
35-18058/5	5" x 8', Plain Ends
35-18068/4	6" x 8', Plain Ends
35-18078/4	7" x 8', Plain Ends
35-18088/4	8" x 8', Plain Ends

## VENT PIPE - GALVANIZED

### ALUMINUM

P/N	SIZE
35-423	3" X 24"
35-424	4" X 24"

### GALVANIZED

P/N	SIZE
35-413	3" X 36"
35-414	4" X 36"
35-415	5" X 36"
35-416	6" X 36"
35-417	7" X 36"
35-418	8" X 36"

## ADJUSTABLE VENT ELBOWS

### ALUMINUM

P/N	SIZE
35-314	4"
35-315	5"
35-316	6"
35-317	7"

### GALVANIZED

P/N	SIZE
35-303	3"
35-304	4"
35-305	5"
35-306	6"
35-307	7"
35-308	8"

## VENT REDUCERS and INCREASERS

### GALVANIZED INCREASERS



P/N	SIZE
35-434	3" to 4"
35-445	4" to 5"
35-456	5" to 6"
35-457	5" to 7"
35-467	6" to 7"

### GALVANIZED REDUCERS

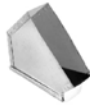


P/N	SIZE
35-343	4" to 3"
35-354	5" to 4"
35-365	6" to 5"
35-375	7" to 5"
35-376	7" to 6"

## TRANSITION ADAPTERS



35-507



35-557



35-595

### SHEET METAL

P/N	ITEM DESC	SIZE
35-505	STRAIGHT	5" x 3.25" x 10"
35-506	STRAIGHT	6" x 3.25" x 10"
35-507	STRAIGHT	7" x 3.25" x 10"
35-508	STRAIGHT	8" x 3.25" x 10"
35-550	EXTENSION	3.25" x 10" x 6"
35-555	ELBOW	3.25" x 10" x 90 deg
35-557	ELBOW	3.25" x 10" x 45 deg
35-595	RIGHT ANGLE	3.25" x 10" x 5"
35-596	RIGHT ANGLE	3.25" x 10" x 6"

## VENT HOODS



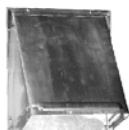
35-800



35-812



35-845



35-897

### FOR THROUGH THE WALL INSTALLATION

P/N	ITEM DESC	SIZE
35-800	ALUMINUM REGULAR	4"
35-802	ALUMINUM BIG MOUTH	4"
35-810	PLASTIC REGULAR	4"
35-812	PLASTIC BIG MOUTH	4"
35-844	WHITE PLASTIC	4"
35-845	WHITE PLASTIC	5"
35-846	WHITE PLASTIC	6"
35-895	SPRING LOADED DAMPER	5"
35-896	SPRING LOADED DAMPER	6"
35-897	SPRING LOADED DAMPER	7"
35-898	SPRING LOADED DAMPER	8"

## WALL CAPS

### ALUMINUM WALL CAPS

P/N	SIZE
35-552	4"



### PLASTIC WALL CAPS

P/N	SIZE
35-885	5"
35-885W	5"
35-886	6"



## ALUMINUM TELESCOPING DUCT



P/N	ITEM DESC	SIZE
35-630	SIDE OUTLET	18" to 29"
35-648	SIDE OUTLET	24" to 41"
35-648S	BOTTOM OUTLET	28" to 43"
35-6E24	EXTENSION FOR ABOVE	24"

## VENT STRAP

### GALVANIZED 3/4" WIDE

P/N	ITEM DESC	SIZE
35-022	22 GAUGE	3/4" X 10 foot
35-026	26 GAUGE	3/4" X 10 foot
35-028	28 GAUGE	3/4" X 10 foot



## DUET STACK KIT

P/N
35-8535926



## LEVELING FEET



P/N	ITEM DESC
99-Z3392100	Plastic
99-Z-1X484	Foot Pad
99-Z-389102	Metal